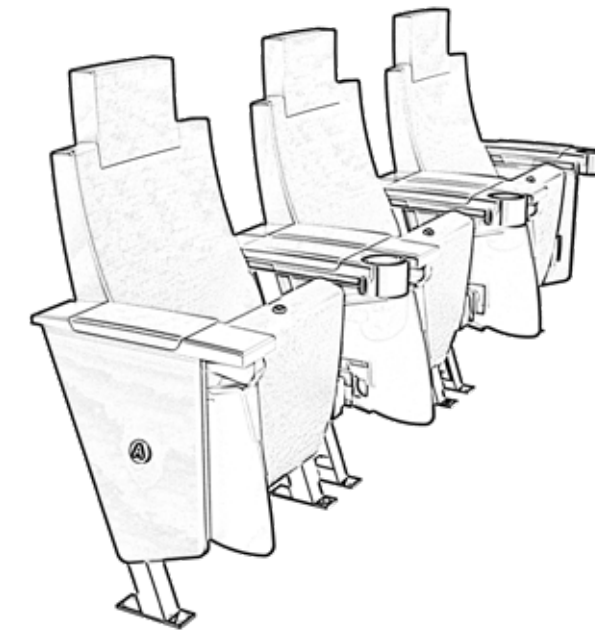




SUITEMAX[™]

SUITEMAX[™] PRODUCT IS PATENTED,
DESIGNED, AND MANUFACTURED BY
SERIES[®] SEATING, DISTRIBUTED BY
DREAMSEAT[®]

DREAMSEAT



INTELLIGENT DESIGN

The SUITEMAX™ product may be the smartest auditorium chair you have ever seen. Its sleek non-intrusive style incorporates both classic and contemporary influences compatible with any environment. The form and pattern of the chair is deliberately biomorphic. Like the human anatomy, the body of the chair has no straight lines, bringing both visual and tactile harmony between the chair and its user. The Ergo-web™ foundation and Surround Foam™ technology of SUITEMAX™ conform to the human anatomy in a way which blurs the line on where your body ends and the chair begins. On the efficiency side the Accordion System™ design of SUITEMAX™ and its tight envelope achieves a seat capacity which is 20% greater than other fixed audience seats.

STREAMLINING

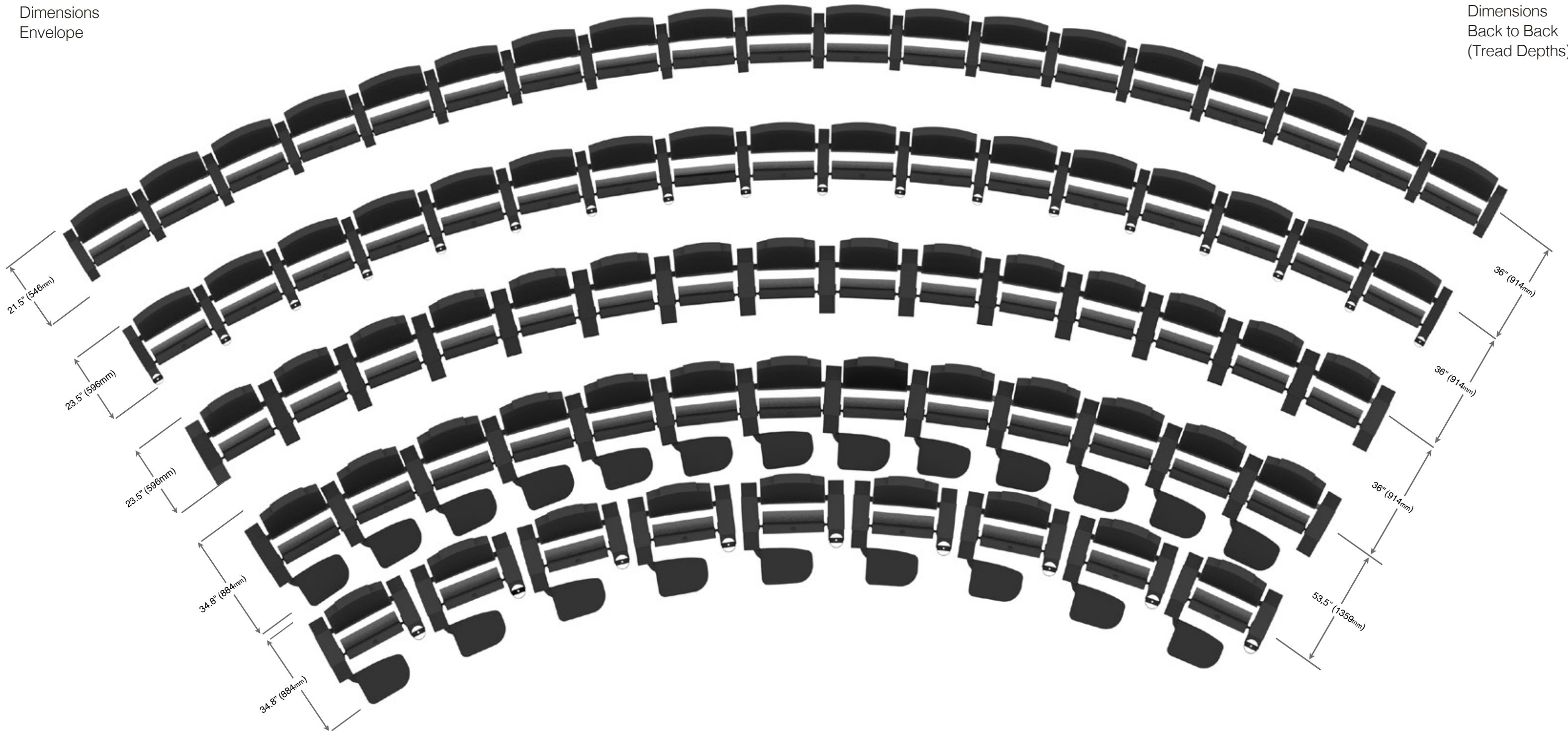
From Apple's "Air" products to Boeing's 787 Dreamliner, many of the iconic products we admire today share a common core appeal. In almost every case the excess bulk, found in out-of-date designs, has given way to the virtues of space efficiency and physical streamlining. Today's minimalism engineering inspires product innovation with a clean, uncluttered, and unadorned look and feel. The SUITEMAX™ achieves this with features that include our exclusive open-end design and an armless innovation which maximizes visual streamlining and personal space. In cases where there is a preference for arm dividers, SERIES® offers a crown shaped design which compliments the sleek contours in the chair seat and back. Arms are available in solid wood or molded polyurethane material with streamlined profiles.

SPACE EFFICIENT

The SUITEMAX™ takes a quantum leap ahead of other contenders in space efficiency. The minimal seat envelope provides unmatched generosity in the access and egress space between the rows. This adds to personal comfort and impacts the potential for longer rows and additional seats without violating codes which might restrict the use of competing products.

Dimensions
Envelope

Dimensions
Back to Back
(Tread Depths)





METLIFE STADIUM - East Rutherford NY, USA
Suitemax™ Axis™ BC SC PRODUCT IS PATENTED, DESIGNED MANUFACTURED BY SERIES® SEATING distributed by DREAMSEAT®

UPHOLSTERY OPTIONS

All back stitching types allow for easy slip-cover upholstery replacement in less than 8 minutes. Upholstered removable zippered seat slip-covers are easily replaced in less than 2 minutes.



SINGLE HORIZONTAL STITCHING & PLEAT



NO STITCHING OR PLEAT



PATENTED SNAPPED IN REMOVABLE COVER WITH EMBROIDERED, DEBOSSSED OR PRINTED LOGO



HEADREAST WITH EMBROIDERED, DEBOSSSED OR PRINTED LOGO



AISLE PANEL LOGO PLACEMENT WITH EMBROIDERED, DEBOSSSED OR PRINTED LOGO



DREAMSEAT® PATENTED XZIPIT LOGO SYSTEM
Logos zip in and out quickly and easily



Scan to see video



AISLE WOOD PANEL LOGO PLACEMENT WITH PRINTED LASER CUT DEBOSSSED LOGO

MATEX PLASTIC OPTION

Matex™ is a pliable polyurethane reinforced with polyester mesh material created to add durability and flexibility to seat bottoms and outer backs. The product is quite durable, non-flammable, scratch and dent resistant, and won't allow gum to stick to its surface. Superior function over typical hard plastic seat pans and outer backs.



MATEX™ SEAT OPTION

Matex™ is Incorporated into Replaceable Zippered Seat Slip-Cover available only for 40" Backs



MATEX™ BACK OPTION

Matex™ is Incorporated into Replaceable Back Slip-Cover available only for 40" Backs



Scan to see the brochure

SUIT MAX™ 3.5 ARMS OPTIONS



3.5 CH 46" BC SC

Shown with upholstered back cover, seat cover, aisle panel UM20, polyurethane arm caps with cover and steel cup holder.



3.5 CH 46" BC SC

Shown with upholstered back cover, seat cover, aisle panel UM20, polyurethane arm caps with cover and steel cup holder.



3.5 46" BC SC

Shown with upholstered back cover, seat cover, aisle panel UM20, polyurethane arm caps with cover



3.5 46" BC SC

Shown with upholstered back cover, seat cover, aisle panel UM20, polyurethane arm caps with cover

SUIT MAX™ 5.0 ARMS OPTIONS



5.0 CH 46" BC SC

Shown with upholstered back cover, seat cover, aisle panel UM20, polyurethane arm caps with cover and steel cup holder



5.0 CH 46" BC SC

Shown with upholstered back cover, seat cover, aisle panel UM20, polyurethane arm caps with cover and steel cup holder



5.0 46" BC SC

Shown with upholstered back cover, seat cover, aisle panel UM20, polyurethane arm caps with cover.



5.0 46" BC SC

Shown with upholstered back cover, seat cover, aisle panel UM20, polyurethane arm caps with cover.

SUITEMAX™ AXIS

SUITEMAX™ Axis with Polyurethane Armrests - Shown with Upholstered Back Cover, Seat Cover, Wood Veneer WM20 Axis End Panel with Polyurethane Armrest, Intermediate Standards with Polyurethane Armrests, Polyurethane Axis Tablet Arm, and Floor Supports.



OPEN TABLET VIEW



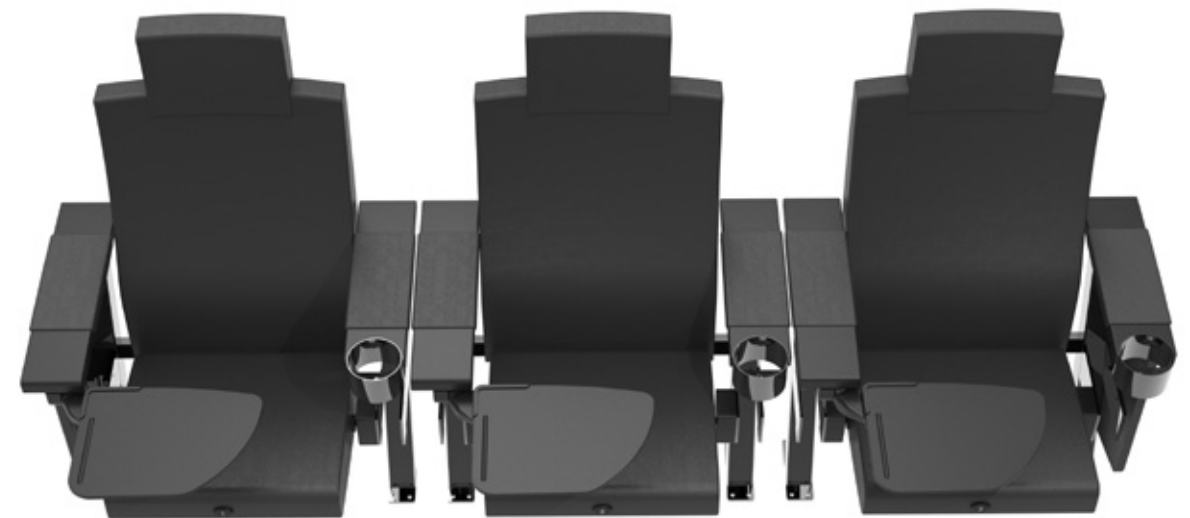
OPEN TABLET FRONT VIEW



SIDE VIEW



CLOSED TABLET VIEW



OPEN TABLET TOP VIEW



INTER MIAMI STADIUM - Miami FL, USA
SUITEMAX™ 3.5 BC SC PRODUCT IS PATENTED, DESIGNED MANUFACTURED BY SERIES® SEATING distributed by DREAMSEAT®

SUITEMAX™ AXIS



5.0 AXIS 46" BC SC

Shown with upholstered back cover, seat cover, aisle panel UM20, polyurethane arm caps with cover, and Axis tablet



5.0 AXIS 46" BC SC

Shown with upholstered back cover, seat cover, aisle panel UM20, polyurethane arm caps with cover, and Axis tablet



5.0 AXIS CH 46" BC SC INDIVIDUAL

Shown with upholstered back cover, seat cover, aisle panel UM20, polyurethane arm caps with cover, Cup holder and Axis tablet



5.0 AXIS CH 46" BC SC INDIVIDUAL

Shown with upholstered back cover, seat cover, aisle panel UM20, polyurethane arm caps with cover, Cup holder and Axis tablet

GEORGIA



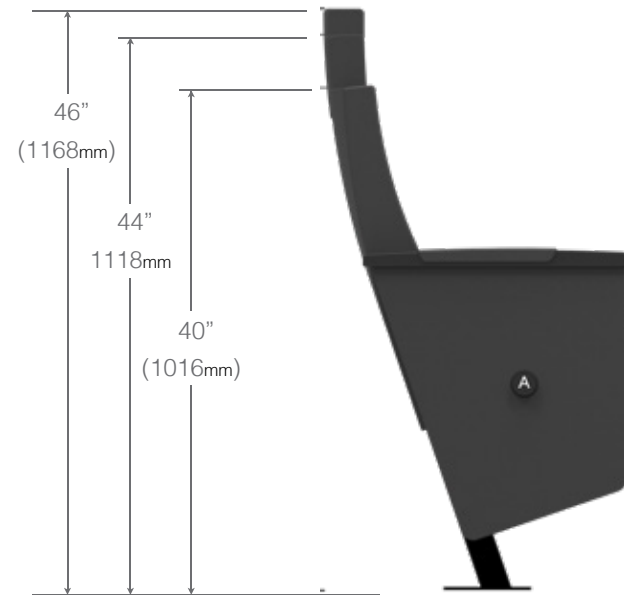
SOUTHERN



GEORGIA SOUTHERN UNIVERSITY - Statesboro GA, USA
SUITEMAX™ AXIS 3.5 BC SC PRODUCT IS PATENTED, DESIGNED MANUFACTURED BY SERIES® SEATING distributed by DPV™ SEAT®

BACK HEIGHT OPTIONS

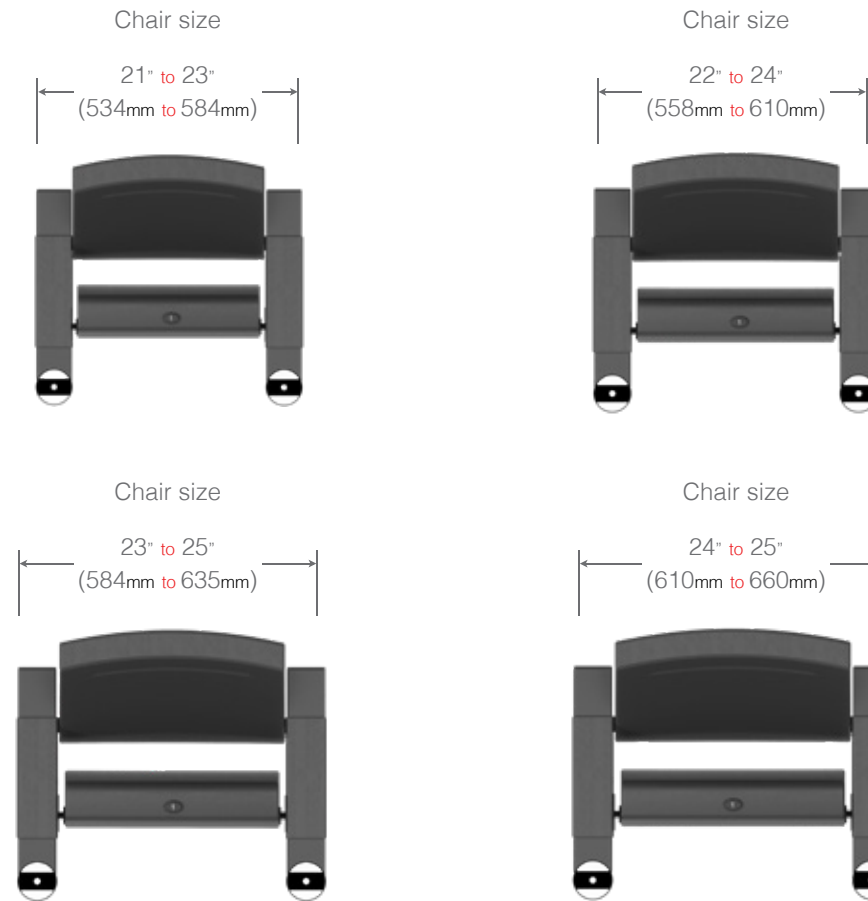
The SUITEMAX™ is available in four different back height options. The design maximizes appearance and comfort while retaining our streamlined trademark. The tallest option of 40" maintains a remarkably slim 17.4" envelope at a 13° back pitch.



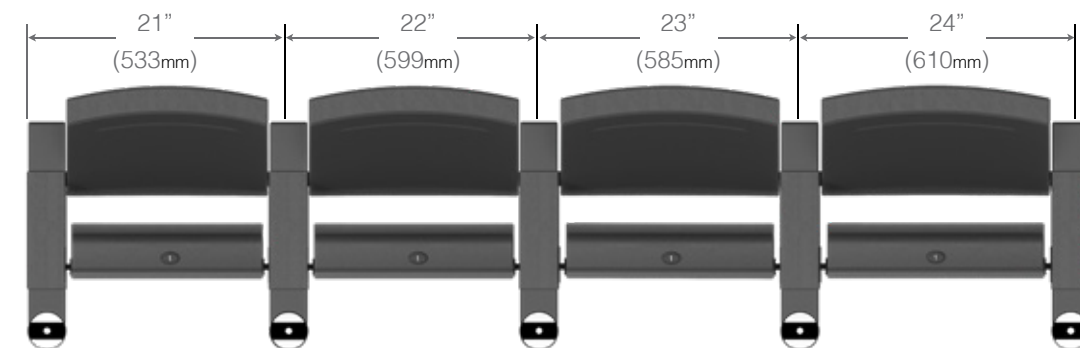
CHAIR WIDTH OPTIONS ARM 3.5

The SUITEMAX™ is available in chair widths ranging from 21" to 25" utilizing our patented Accordion System™ along with fixed size seats. Seat widths are measured from the center of one arm to the center of the next arm.

Note: This dimensions apply to Suitemax 3.5 Cup Holder



ACCORDION SEATING SYSTEM

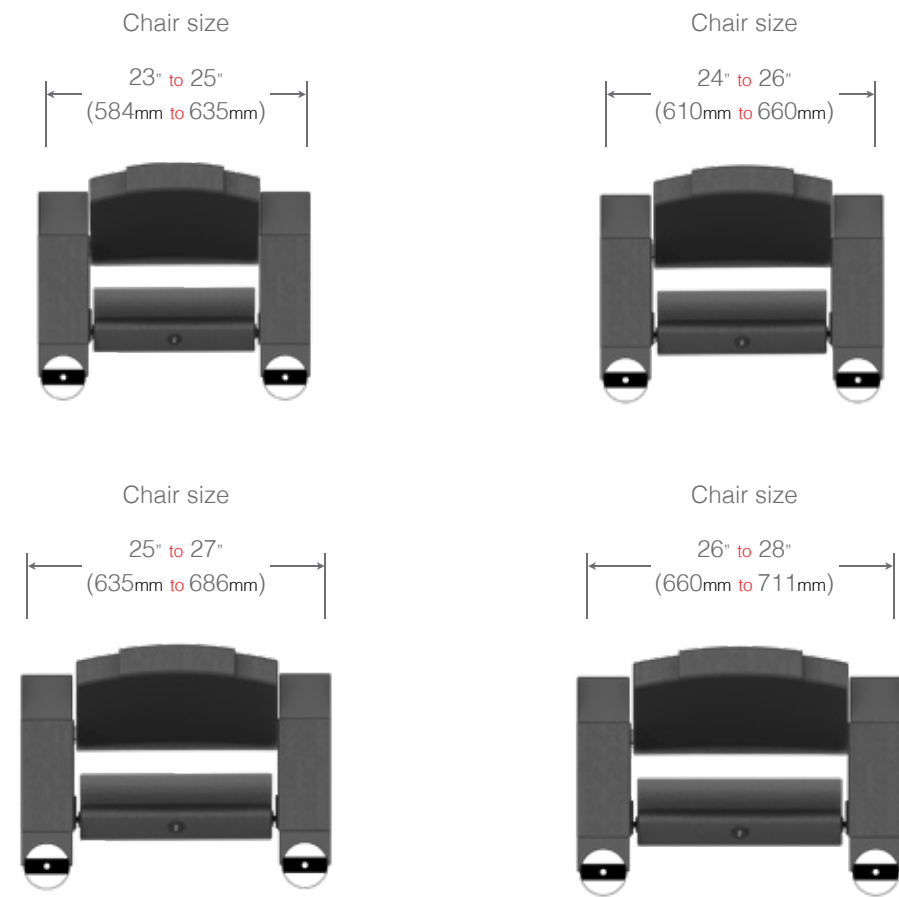


WIDTH SEATING SYSTEM

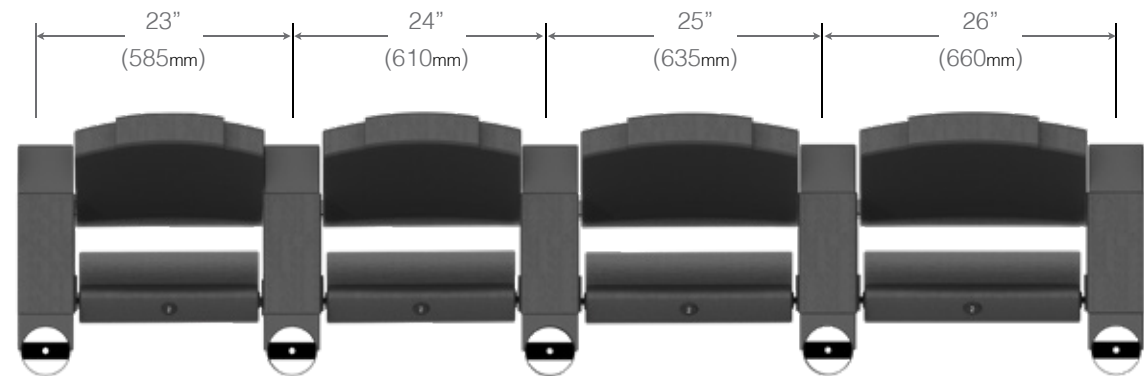
CHAIR WIDTH OPTIONS ARM 5.0

The SUITEMAX™ is available in chair widths ranging from 23" to 28" utilizing our patented Accordion System™ along with fixed size seats. Seat widths are measured from the center of one arm to the center of the next arm.

Note: this dimensions apply to Suitemax 5.0, Suitemax 5.0 Cup Holder and Suitemax 5.0 Axis

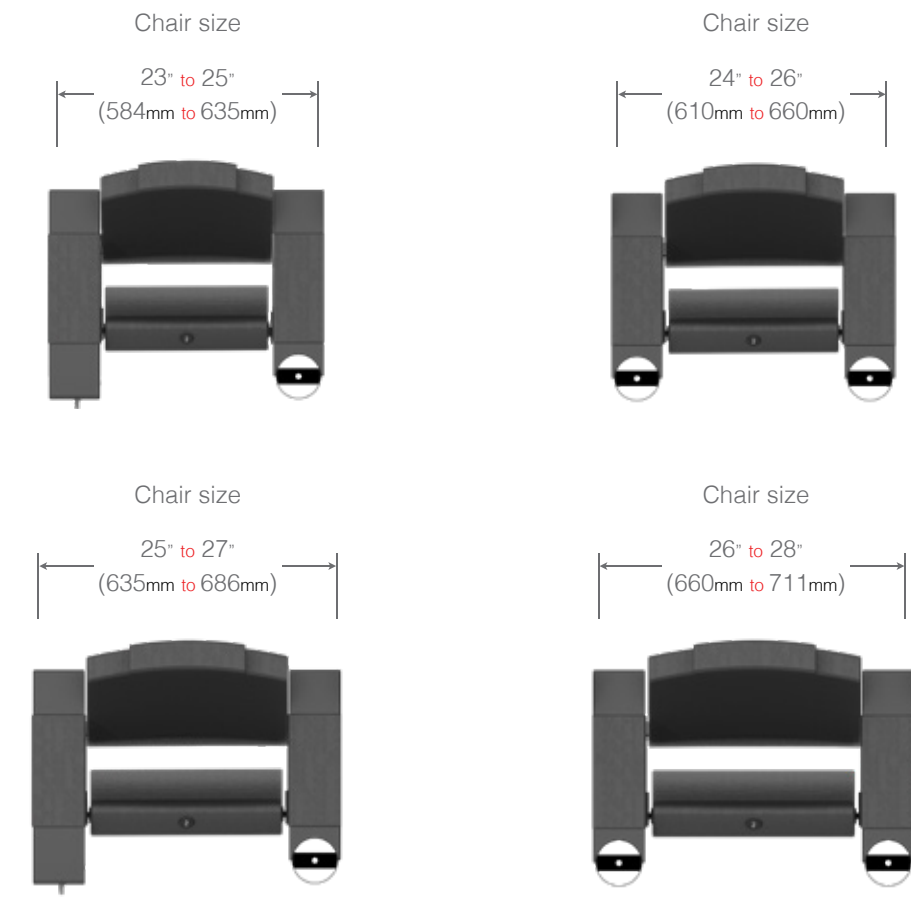


ACCORDION SEATING SYSTEM

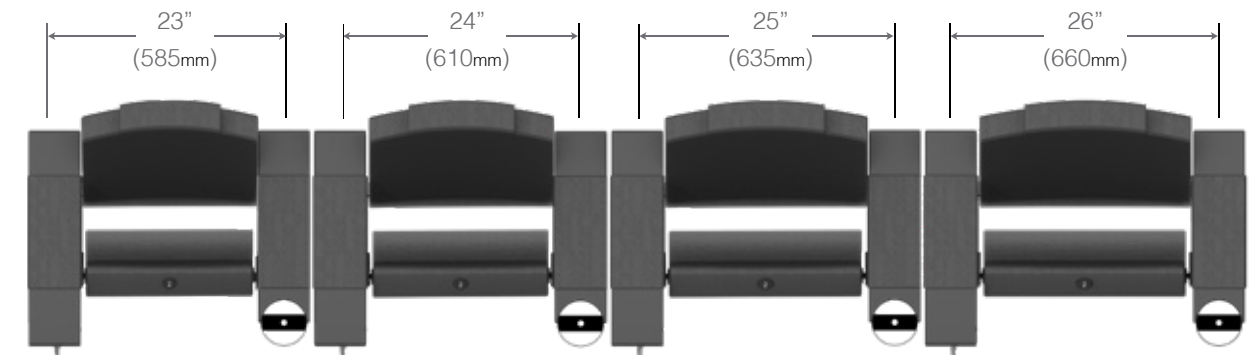


WIDTH SEATING SYSTEM

CHAIR WIDTH OPTIONS ARM 5.0 AXIS CH



ACCORDION SEATING SYSTEM





CITIZENS BANK PARK - PHILADELPHIA PA, USA
Suitemax™ BC SC PRODUCT IS PATENTED, DESIGNED MANUFACTURED BY SERIES® SEATING distributed by DREAMSEAT®

AISLE PANEL OPTIONS

SERIES® Seating maximizes quality control by keeping all aspects of manufacturing in-house. This includes our own millwork department which is both skilled and customized to meet your exact specifications.



PANEL G
Open Aisle Panel with Armrest.



PANEL CON
Open Aisle Panel with Armrest and LED Aisle Light. Not Available for Tablet Axis.



PANEL WM20
Wood ¾ Length Aisle Panel .75" Thick, with Armrest.



ADA LIFT-UP ARMREST
ADA Lift-up Armrest with Open Aisle Panel G.



PANEL UM20
Upholstered ¾ Length Aisle Panel .75" Thick, with Armrest.

AISLE PANEL LIGHTING OPTIONS



UPHOLSTERED AISLE PANEL UM20
Upholstered ¾ Length Aisle Panel UM20 75" Thick, with Armrest, Aisle LED Warm White Beacon Aisle Light Mounted to Aisle Panel.



AISLE PANEL CON
Open Aisle Panel CON with Armrest and LED Warm White Aisle Light.



WOOD AISLE PANEL WM20
Wood Aisle Panel with Armrest, and Aisle LED Warm White Beacon Aisle Light Mounted to Aisle Panel.

SIGNAGE OPTIONS

All SERIES® Seating aisle, seat, or donor plates have been designed to be installed on upholstery, wood, or plastic laminate components. The prominent, well planned signage placement is built into our seating system. All polymer or metal number, letter and donor plates are provided with concealed adhesive or magnetic fasteners. All metal signage plates are protected with a transparent oven-baked epoxy coating. (For more details please view our Signage brochures).



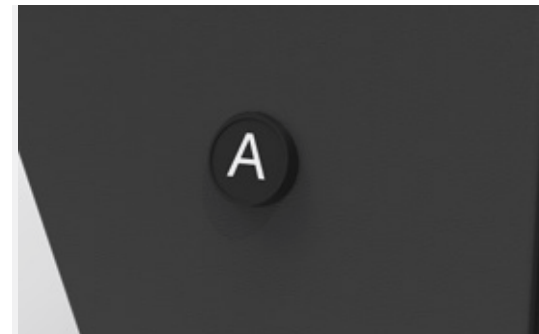
OPEN AISLE PANEL G

Open Aisle PANEL G- Right or Left Panel. With or without letters or numbers. Letter or Number Height: 1.6" (40mm).



OPEN AISLE PANEL CON

Open Aisle PANEL CON Right or Left Panel with lights, LED Warm White Aisle Light Warm, and Letter or Number Plate Recessed RM 45.



SURFACE MOUNTED SM 48

Surface Mounted SM 48 Aisle Letter or Number Plate.



RECESSED RM 45

Recessed RM45 Seat Letter or Number Plate.



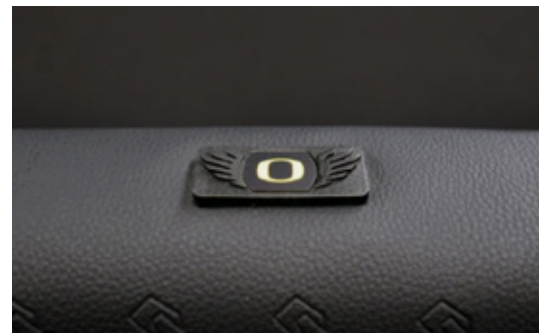
SURFACE MOUNTED SM 42

Surface Mounted SM 42 Aisle Letter or Number Plate.



RECESSED ADA LIFT -UP ARMREST

Recessed ADA Lift -Up Arm with ADA Designation Plate to be used with Open Aisle Panels G.



CUSTOM NUMBER



CUSTOM PANEL



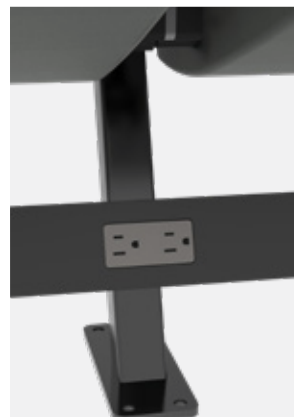
POWER OPTIONS



OPTION 01
Duplex Receptacle is in every chair or every other chair.



OPTION 02
No Rail and plugs connected to Junction Boxes.



PLUG CONNECTION



USB CONNECTION



PLUG & USB CONNECTION



OPTION 03
Rail and plugs connection to support



USB CONNECTION
TO SUPPORT

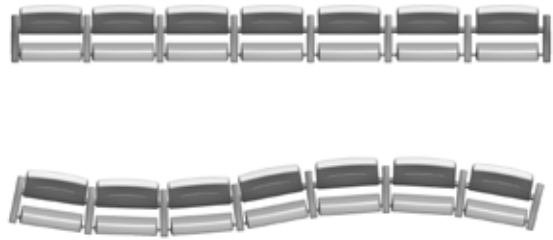


PLUG TO SUPPORT

FOR MORE DETAILS PLEASE VIEW OUR POWER BROCHURE.

THINGS YOU CARE ABOUT

True **INNOVATION** is much more than the introduction of something new. If it does not meet a need or provide a benefit not being provided by others, it is not innovation. The following is a list of features that are much more than something new. All provide benefits and paybacks like no other auditorium seat product you will find.



ACCORDION SYSTEM

- Rows can be adjusted to any row length on site.
- Single back and seat widths for visual continuity.
- Guarantees perfect alignment of the row ends at the aisle.
- Seats and backs are totally interchangeable.
- Single size components for attic stock.



SURROUND FOAM™

- Foam fully surrounds inner seat and back structure to prevent fabric marks.
- The Ergo-flex seat webbing allows even weight distribution, reduces pressure points, and enhances blood flow achieving optimal healthy comfort.
- Surface to surface airflow in both the seat and back minimizes heat and moisture build up in the foam, prolonging foam life and integrity.



FULLY ENCLOSED AUTOMATIC GRAVITY SEAT LIFT-UP SYSTEM

- Extremely quiet seat lift system.
- The system does not require any lubricants or maintenance.
- Fully enclosed pivot and seat stops that will not permit finger or clothing entrapments.



SEAT & BACK DROP-IN ASSEMBLY

- Allows replacement of the seat component in **30 seconds**.
- Allows replacement of the back component in **60 seconds**.



DREAMSEAT® PATENTED XZIPIT LOGO SYSTEM

CHANGE LOGOS IN SECONDS

- High-Quality Logo Embroidery
- New Look in Seconds: Switch the logo of your chair quickly and easily depending on event or game.
- Average stitch count of 70,000 stitches
- Average Logo Size: 7.5" x 7.5"



SEAT & BACK TUBULAR STEEL STRUCTURE

- Exceeds the most demanding durability tests.
- With heavy use over time, the seat and back components will maintain comfort, alignment and appearance.
- Structure won't be affected by high or low humidity & temperature.



REMOVABLE SEAT & BACK CUSHION COVERS

- Allows replacement of the zippered seat cover in **2 minutes**.

FLEXIBILITY

Complete Range of Supports

- Floor supports: Flat floor and slopes up to 9°
- Risers supports: ranging from 6° riser to any required height
- Pedestal: Flat floor and slopes up to 9°
- Back pitch options: 19°
- Rocker system that reclines up to 12°

OPTIONS TO MEET YOUR NEEDS

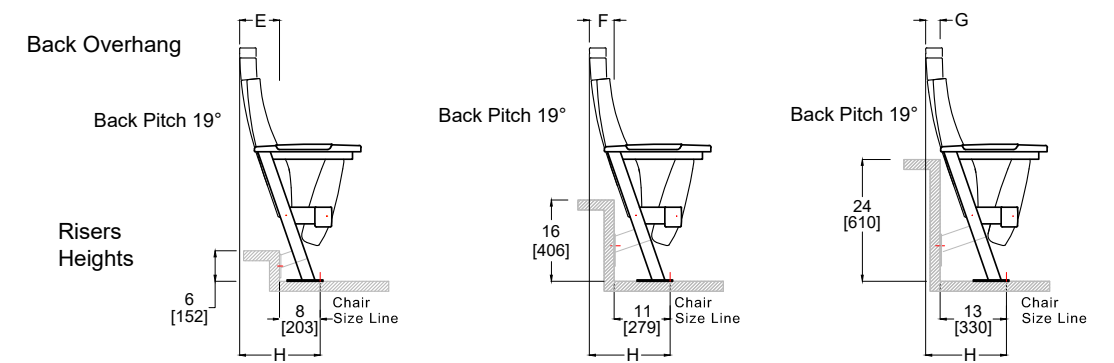
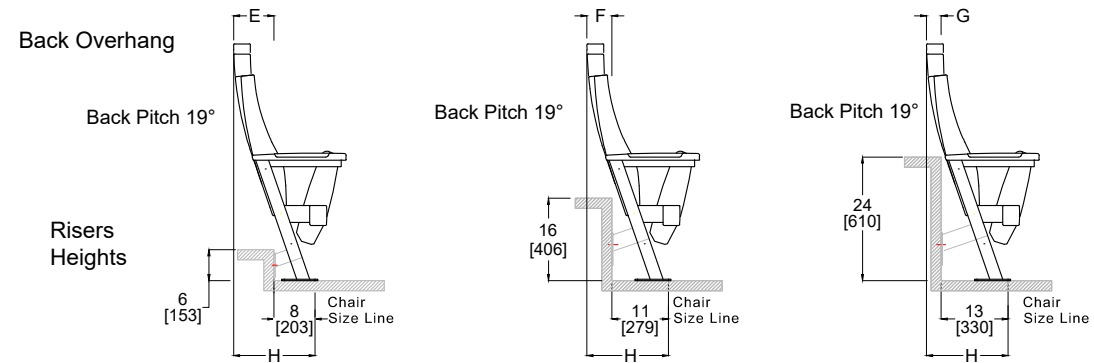
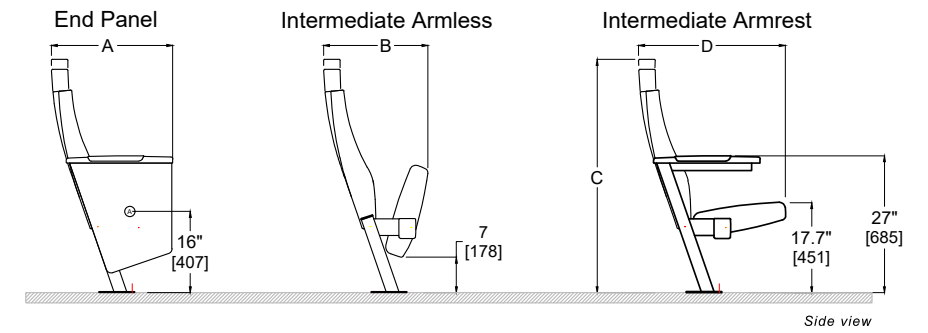
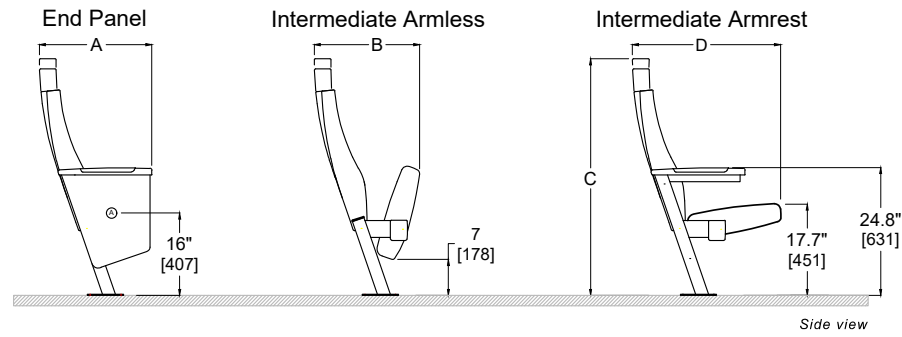
Complete Range of Sizes

- Accordion system chair widths: Arm 3.5 Any dimension between 21" (534mm) to 26" (660mm)
Arm 5.0 Any dimension between 26" (660mm) to 28" (711mm)
- Fixed system chair widths: Arm 3.5: 20" (508mm), 21" (534mm), 22" (558mm), 23" (584mm), 24" (609mm)
Arm 5.0: 24" (609mm), 25" (635mm), 26" (660mm)
- Back heights: 40" (1016mm), 44" (1118mm), 46" (1168mm)
- Minimum Radius: 23' (7 meters)

DIMENSIONS

SuiteMax™ 3.5

SuiteMax™ 5.0



	Back Pitch Angle	Back Height				Back Pitch Angle	Back Height		
		40"-1016mm	44"-1118mm	46"-1168mm			40"-1016mm	44"-1118mm	46"-1168mm
A Envelope End Panel Chair	19°	21.5" 546 mm	21.8" 553 mm	21.8" 553 mm	E Back Overhang Up to 8" Riser Height Face	19°	7.5" 191 mm	7.8" 198 mm	7.8" 198 mm
B Envelope Intermediate Armless Chair	19°	23.5" 596 mm	23.8" 604 mm	23.8" 604 mm	F Back Overhang Up to 16" Riser Height Face	19°	4.5" 115 mm	4.8" 122 mm	4.8" 122 mm
C Back Height	19°	40" 1016 mm	44" 1118 mm	46" 1168 mm	G Back Overhang Up to 24" Riser Height Face	19°	2.5" 64 mm	2.8" 72 mm	2.8" 72 mm
D Chair Depth Seat in Down Position	19°	28.4" 722 mm	28.7" 729 mm	28.8" 730 mm	H Back Overhang From Chair Size Line	19°	15.5" 394 mm	15.8" 401 mm	15.8" 401 mm

	Back Pitch Angle	Back Height				Back Pitch Angle	Back Height		
		40"-1016mm	44"-1118mm	46"-1168mm			40"-1016mm	44"-1118mm	46"-1168mm
A Envelope End Panel Chair	19°	23.5" 596 mm	23.8" 604 mm	23.8" 604 mm	E Back Overhang Up to 8" Riser Height Face	19°	7.5" 191 mm	7.8" 198 mm	7.8" 198 mm
B Envelope Intermediate Armless Chair	19°	23.5" 596 mm	23.8" 604 mm	23.8" 604 mm	F Back Overhang Up to 16" Riser Height Face	19°	4.5" 115 mm	4.8" 122 mm	4.8" 122 mm
C Back Height	19°	40" 1016 mm	44" 1118 mm	46" 1168 mm	G Back Overhang Up to 24" Riser Height Face	19°	2.5" 64 mm	2.8" 72 mm	2.8" 72 mm
D Chair Depth Seat in Down Position	19°	28.4" 722 mm	28.7" 729 mm	28.8" 730 mm	H Back Overhang From Chair Size Line	19°	15.5" 394 mm	15.8" 401 mm	15.8" 402 mm

Dimensions are nominal and SERIES® Seating reserves the right to modify them without notice
 Thickness of Laminated or Wood Back Panels: 9/16" (14mm) or 3/4" (19mm)
 Minimum Installation Radius 23' (7 mts)

COMFORTABLE CONTEMPORARY DESIGN SEATING WITH WIDE ARRAY OF SIZES AND OPTIONS

SUITEMAX™ KEY ATTRIBUTES

- **Elegant Simple Design** with compelling visual dynamics will remain current for a lifetime.
- **Surround Foam Patented System** adds to your comfort, prevents fabric marks, prevents foam deterioration and keeps a cool temperature for long lasting use.
- **Patented Seat & Back Tubular Steel & Mesh Construction** maintains shape, increases durability and comfort to your seat and back. Backs have standard lumbar support. The seat construction will support up to **600 lbs.** on the front edge of the seat and up to **1700 lbs.** across the middle of the seat.
- **Patented Seat & Back Drop-in Assembly** makes installation and service needs extremely simple while increasing efficiency thus saving time and money.
- **Patented Fully Enclosed Silent Seat Gravity Lift System** does not require any maintenance and will operate perfectly as long as there is gravity to help, insuring the seat will always return to a consistent position without finger or clothing entrapments. Available with **90** or **45** degrees stops.
- **Removable Upholstered Cushion Covers** allows for quick and easy change out.
- **Patented Accordion System** allows you to increase the width of seats up to **2 1/2"** thus making installations simple on straight, radius or reverse radius row configurations, allowing perfect alignment of aisle panels and reducing amount of attic stock needed.
- **Series Seating manufactures in house all product components** including foam, engineered wood, steel, and upholstery saving cost and improving quality control on all products.

OPTIONS

CHAIR WIDTHS

21" (534mm) and **24" (610mm)** using accordion system for Suitemax 3.5 SERIES® Seating patented accordion system.
26" (660mm) and **28" (711mm)** using accordion system for Suitemax 5.0 SERIES® Seating patented accordion system.

BACKS

Back Heights: **40" (1016mm)** **44" (1018mm)** **46" (1168mm)**
Back pitch at **19 degrees**
Fully upholstered snap-in cover or Matex snap-in cover on outer back

SEATS

Fully upholstered zippered cover or Matex zippered seat bottom

ARMREST

Armrest: polyurethane or wood
Lift-up armrest
Cup holder armrest

AISLE PANELS

Aisle end panels: open end G, open end CON
ADA lift-up armrest

AISLE LIGHTS

Aisle lights mounted in the end panel
Custom LED lighting available

SUPPORTS

Floor supports for flat and slope floors. Up to **9 degrees**
Riser supports for riser's heights between **6"** to **24"**

REMOVABLE SEATING

Tandem of **1, 2, or 3 chairs**
Out-in of individual chairs
Riser removable system of individual chairs

Dimensions are nominal and SERIES SEATING reserves the right to modify design & specifications without notice.

TEN YEAR WARRANTY on all chair components.

Fabric components will be fabric manufacturer warranty.
For complete warranty details contact SERIES SEATING.



ARTE - Fiore



Finishes

Scan the codes below with your smartphone to view fabric colors and wood finishes.
Note: Colors may vary depending on your screen.

ACCESSORIES

SIGNAGE

Seat number plates
Aisle row identification letter plates
Donor plates
Custom signage available
Finish Options: Black plate with white characters, or brushed stainless, brass, bronze, or copper with black characters
Signage plates surface mount

HOLDERS

Cup holder: Steel removable cup holder arm, rear or front support mounted

POWER WIRING

Beam or panel mounted
4 wires, 2 circuit, 20Amps each (Circuit 1 and 2 only)
13 – Duplex receptacles per circuit, **26 -15 Amp** Duplex receptacles per power infeed maximum
UL Listed as a manufacturer wiring system

DOLLY

Roller skate dolly

STANDARD FABRIC OPTIONS



ARTE - Avana
160000

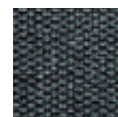


ARTE - Avana
180201

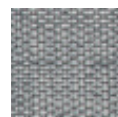


ARTE - Avana
184026

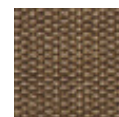
STANDARD COATED FABRIC OPTIONS



ARTE - Fiore
Graphite



ARTE - Fiore
Gray



ARTE - Fiore
Coffee





SERIES USA

Corporate Headquarters

20900 NE 30th Avenue

Suite 901

Miami, FL 33180

SERIES Colombia

Carrera 7A Km. 21

Chía, Cundinamarca 250008

SERIES Australia

68 Salamander Way

Salamander Bay, NSW 2317

© SERIES® Seating

Printed in USA by SERIES® Printing on FSC certified paper

www.seriesseating.com/patents. Designed by - Mauricio Olarte

0409231230



Dreamseat® is SERIES® Seating Authorize Distribution Partner

P: 631.656.1066

www.dreamseat.com

DREAMSEAT® New York

150 Motor Parkway

Suite 204

Hauppauge, NY 11788

DREAMSEAT® South Carolina

1301 S. Shamrock Ave

Suite 204

Landrum, SC 29356

E: sales@dreamseat.com

SERIESSEATING.COM • DREAMSEAT.COM

