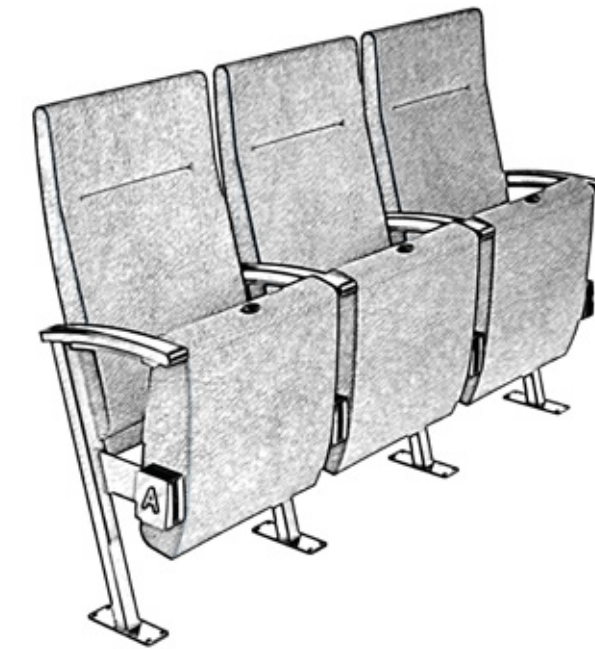




SLIM[™]

SLIM[™] PRODUCT IS PATENTED, DESIGNED,
AND MANUFACTURED BY SERIES[®] SEATING,
DISTRIBUTED BY DREAMSEAT[®]

DREAMSEAT



INTELLIGENT DESIGN

The SLIM™ product may be the smartest auditorium chair you have ever seen. Its sleek non-intrusive style incorporates both classic and contemporary influences compatible with any environment. The form and pattern of the chair is deliberately biomorphic. Like the human anatomy, the body of the chair has no straight lines, bringing both visual and tactile harmony between the chair and its user. The Ergo-web™ foundation and Surround Foam™ technology of SLIM™ conform to the human anatomy in a way which blurs the line on where your body ends and the chair begins. On the efficiency side the Accordion System™ design of SLIM™ and its tight envelope achieves a seat capacity which is 20% greater than other fixed audience seats.

STREAMLINING

From Apple's "Air" products to Boeing's 787 Dreamliner, many of the iconic products we admire today share a common core appeal. In almost every case the excess bulk, found in out-of-date designs, has given way to the virtues of space efficiency and physical streamlining. Today's minimalism engineering inspires product innovation with a clean, uncluttered, and unadorned look and feel. The SLIM™ achieves this with features that include our exclusive open-end design and an armless innovation which maximizes visual streamlining and personal space. In cases where there is a preference for arm dividers, SERIES® offers a crown shaped design which compliments the sleek contours in the chair seat and back. Arms are available in solid wood or molded polyurethane material with streamlined profiles.

SLIM™ BACK OPTIONS



34" BC SC

Shown with upholstered Back Cover, Seat Cover, Aisle Panel UM20, and polyurethane arm caps



40" BC SC

Shown with upholstered Back Cover, Seat Cover, Aisle Panel UM20, and polyurethane arm caps



34" BC SC

Shown with upholstered Back Cover, Seat Cover, Aisle Panel UM20, and polyurethane arm caps



40" BC SC

Shown with upholstered Back Cover, Seat Cover, Aisle Panel UM20, and polyurethane arm caps

UPHOLSTERY OPTIONS

All back stitching types allow for easy slip-cover upholstery replacement in less than 8 minutes. Upholstered removable zippered seat slip-covers are easily replaced in less than 2 minutes.



SINGLE HORIZONTAL STITCHING & PLEAT



NO STITCHING OR PLEAT



PATENTED SNAPPED IN REMOVABLE COVER WITH EMBROIDERED, DEBOSSSED OR PRINTED LOGO



DREAMSEAT® PATENTED XZIPIT LOGO SYSTEM

Logos zip in and out quickly and easily



Scan to see video



AISLE PANEL LOGO PLACEMENT WITH EMBROIDERED, DEBOSSSED OR PRINTED LOGO



AISLE WOOD PANEL LOGO PLACEMENT WITH PRINTED LASER CUT DEBOSSSED LOGO

MATEX PLASTIC OPTION

Matex™ is a pliable polyurethane reinforced with polyester mesh material created to add durability and flexibility to seat bottoms and outer backs. The product is quite durable, non-flammable, scratch and dent resistant, and won't allow gum to stick to its surface. Superior function over typical hard plastic seat pans and outer backs.



MATEX™ SEAT OPTION

Matex™ is Incorporated into Replaceable Zippered Seat Slip-Cover



MATEX™ BACK OPTION

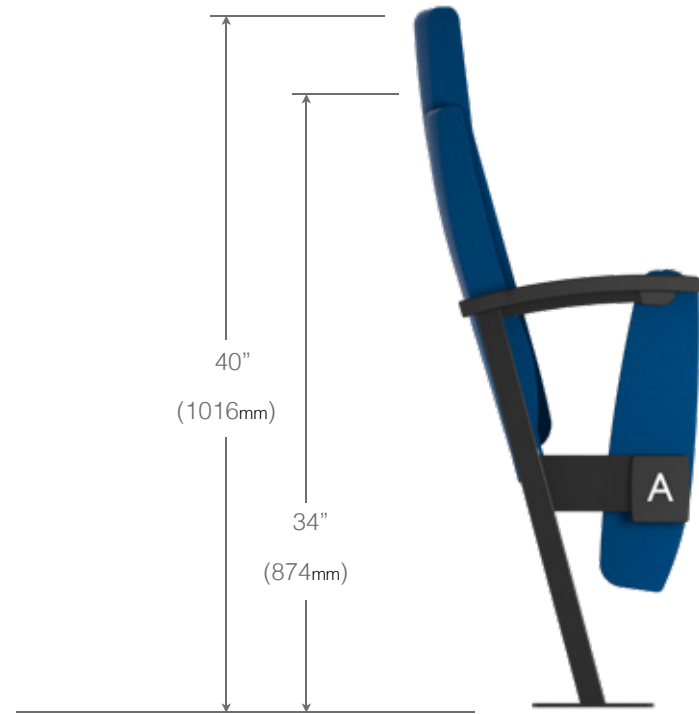
Matex™ is Incorporated into Replaceable Back Slip-Cover



Scan to see the brochure

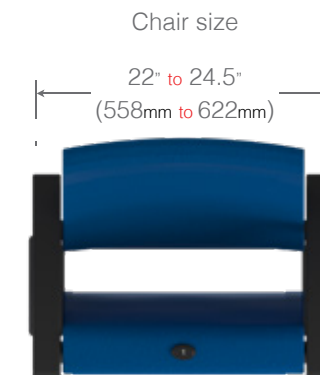
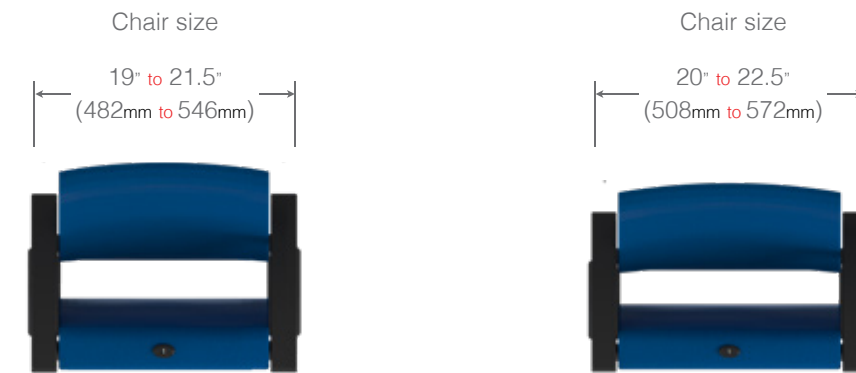
BACK HEIGHT OPTIONS

The SLIM™ is available in four different back height options. The design maximizes appearance and comfort while retaining our streamlined trademark. The tallest option of 40" maintains a remarkably slim 15".

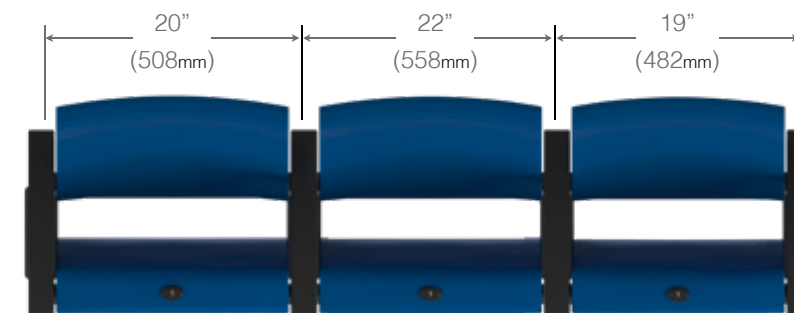


CHAIR WIDTH OPTIONS

The SLIM™ is available in chair widths ranging from 19" to 22" utilizing our patented Accordion System™ along with fixed size seats. Seat widths are measured from the center of one arm to the center of the next arm.



ACCORDION SEATING SYSTEM



WIDTH SEATING SYSTEM



NEED HELP? TEXT
713-547-3099

LEXUS CLUB

Shell ENERGY
STADIUM

HOUSTON DYNAMO - Houston TX, USA
SLIM BC SC MANUFACTURED BY SERIES® SEATING distributed by DREAMSEAT®

AISLE PANEL OPTIONS

SERIES® Seating maximizes quality control by keeping all aspects of manufacturing in-house. This includes our own millwork department which is both skilled and customized to meet your exact specifications. Aisle panel options achieve compatibility with colonial, gothic, and classic architecture, in a variety of hardwoods and finish selections.



PANEL G
Open Aisle Panel with Armrest.



PANEL UM20
Upholstered ¾ Length Aisle Panel. 75" Thick, with Armrest.



PANEL WM20
Wood ¾ Length Aisle Panel .75" Thick, with Armrest.



ADA LIFT-UP ARMREST
ADA Lift-up Armrest with Open Aisle Panel G.

AISLE PANEL LIGHTING OPTIONS



UPHOLSTERED AISLE PANEL UM20
Wood Aisle Panel, with Armrest and Aisle LED
Warm White Beacon Aisle Light Mounted to
Aisle Panel



WOOD AISLE PANEL WM20
Wood Aisle Panel, with Armrest and Aisle
LED Warm White Beacon Aisle Light
Mounted to Aisle Panel

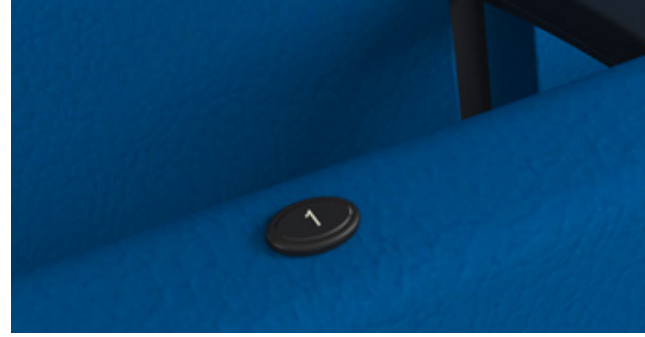
SIGNAGE OPTIONS

All SERIES® Seating aisle, seat, or donor plates have been designed to be installed on upholstery, wood, or plastic laminate components. The prominent, well planned signage placement is built into our seating system. All polymer or metal number, letter and donor plates are provided with concealed adhesive or magnetic fasteners. All metal signage plates are protected with a transparent oven-baked epoxy coating. (For more details please view our Signage brochures).



OPEN AISLE PANEL G

Open Aisle PANEL G- Right or Left Panel. With or without letters or numbers. Letter or Number Height: 1.6" (40mm).



SURFACE MOUNTED SM 42

Surface Mounted SM 42 Seat Letter or Number Plate.

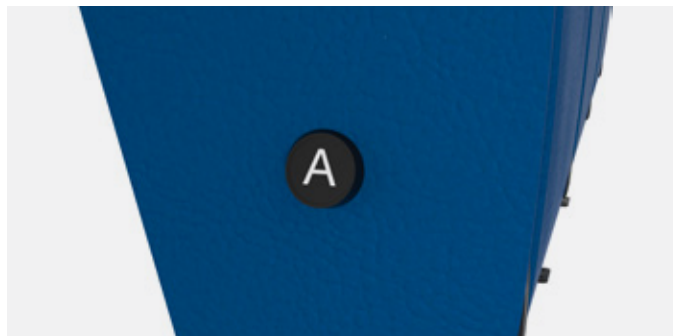


RECESSED RM 45

Recessed RM 45 Aisle Letter or Number Plate.



CUSTOM PANEL



SURFACE MOUNTED SM 48

Surface Mounted SM 48 Aisle Letter or Number Plate.



RECESSED ADA LIFT -UP ARMREST

Recessed ADA Lift -Up Arm with ADA Designation Plate to be used with Open Aisle Panels G or CON.



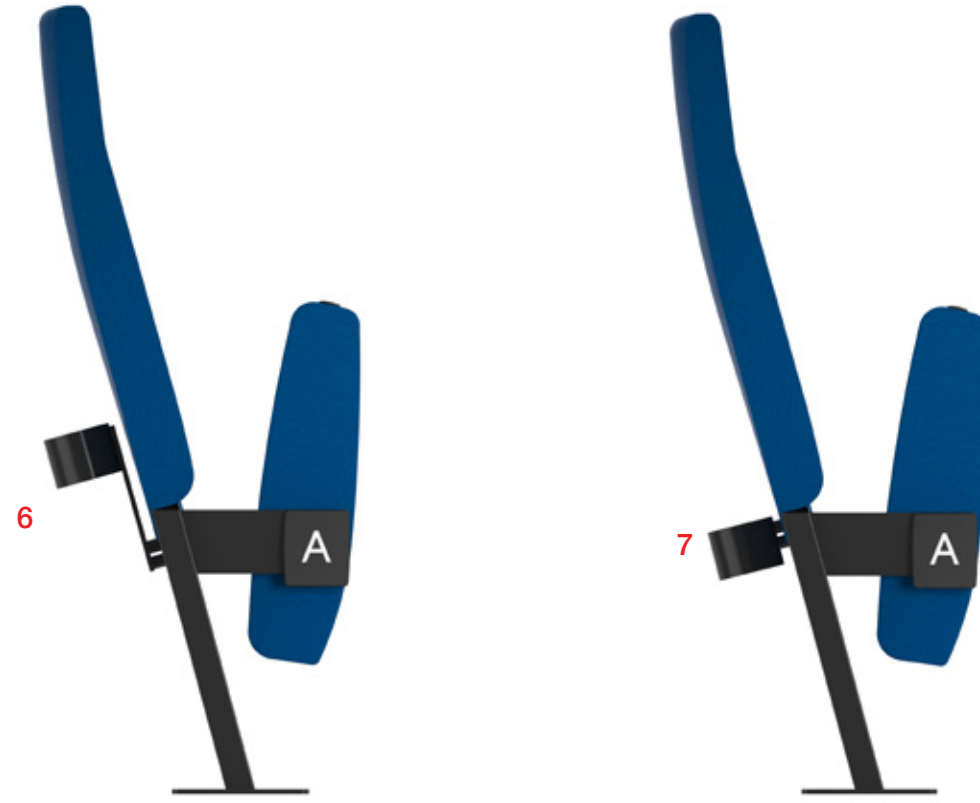
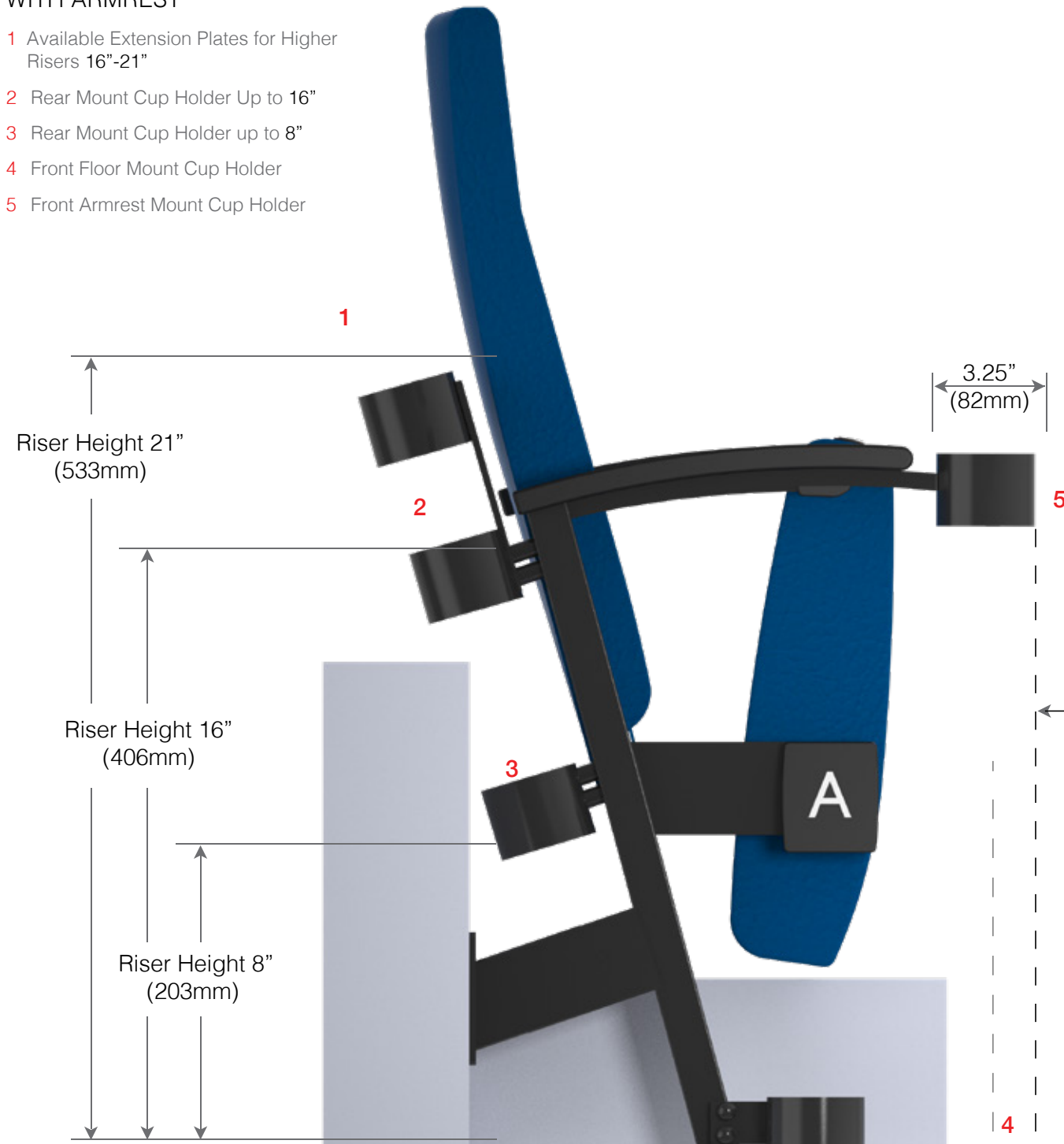
CUSTOM NUMBER

CUP HOLDER OPTIONS

The SERIES® Seating only utilizes steel for our drinkholder options to ensure long-term performance - with a number of different positions available depending on the specific seating location. They are on the rear of the seat, on the front of the standard near the floor, or mounted to the armrest. Whether you are looking for strategically placed cupholders or smaller communion cups, you know they are built with highest quality materials.

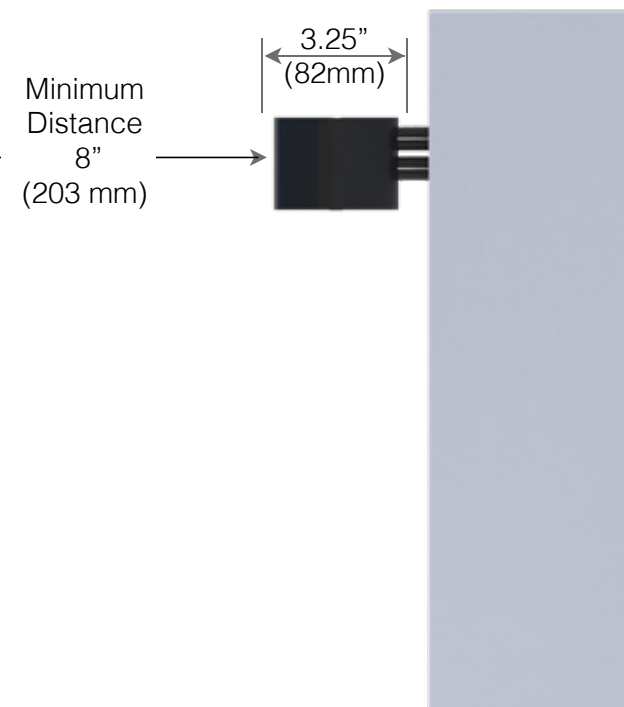
CUP HOLDER OPTIONS WITH ARMREST

- 1 Available Extension Plates for Higher Risers 16"-21"
- 2 Rear Mount Cup Holder Up to 16"
- 3 Rear Mount Cup Holder up to 8"
- 4 Front Floor Mount Cup Holder
- 5 Front Armrest Mount Cup Holder



ARMLESS CHAIR CUP HOLDER OPTIONS

- 6 Rear Mount Cup Holder Up to 8"
- 7 Rear Mount Cup Holder Up to 16"





PC 4

HOUSTON DYNAMO - Houston TX, USA
SLIM BC SC MANUFACTURED BY SERIES® SEATING distributed by DREAMSEAT®

POWER OPTIONS



OPTION 01
Duplex Receptacle is in every chair or every other chair.



PLUG CONNECTION



USB CONNECTION



PLUG & USB CONNECTION



OPTION 02
No Rail and plugs connected to Junction Boxes.



OPTION 03
Rail and plugs connection to support



USB CONNECTION
TO SUPPORT

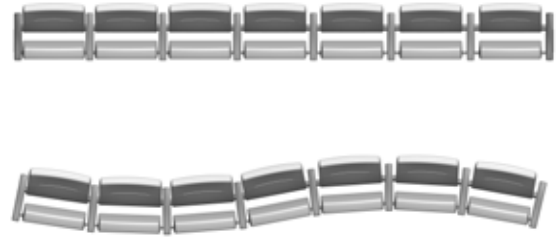


PLUG TO SUPPORT

FOR MORE DETAILS PLEASE VIEW OUR POWER BROCHURE.

THINGS YOU CARE ABOUT

True **INNOVATION** is much more than the introduction of something new. If it does not meet a need or provide a benefit not being provided by others, it is not innovation. The following is a list of features that are much more than something new. All provide benefits and paybacks like no other auditorium seat product you will find.



ACCORDION SYSTEM

- Rows can be adjusted to any row length on site.
- Single back and seat widths for visual continuity.
- Guarantees perfect alignment of the row ends at the aisle.
- Seats and backs are totally interchangeable.
- Single size components for attic stock.



SEAT & BACK WOOD & STEEL STRUCTURE

- Exceeds the most demanding durability tests.
- With heavy use over time, the seat and back components will maintain comfort, alignment and appearance.



SURROUND FOAM™

- Foam fully surrounds inner seat and back structure to prevent fabric marks.
- The Ergo-flex seat webbing allows even weight distribution, reduces pressure points, and enhances blood flow achieving optimal healthy comfort.
- Surface to surface airflow in both the seat and back minimizes heat and moisture build up in the foam, prolonging foam life and integrity.



REMOVABLE SEAT & BACK CUSHION COVERS

- Allows replacement of the zippered seat cover in **2 minutes**.



FULLY ENCLOSED AUTOMATIC GRAVITY SEAT LIFT-UP SYSTEM

- Extremely quiet seat lift system.
- The system does not require any lubricants or maintenance.
- Fully enclosed pivot and seat stops that will not permit finger or clothing entrapments.



SEAT & BACK DROP-IN ASSEMBLY

- Allows replacement of the seat component in **30 seconds**.
- Allows replacement of the back component in **60 seconds**.

FLEXIBILITY

Complete Range of Supports

- Floor supports: Flat floor and slopes up to 9°.
- Air floor Supports: Flat floors and slopes up to 9°.
- Riser Supports: Ranging from 6" riser to any required height.
- Pedestal: Flat floor and slopes up to 9°.
- Air pedestal: Flat floor and slopes up to 9°.
- Out-In removable system: 1 chair.
- Back pitch options: 15°, 12°, 9°

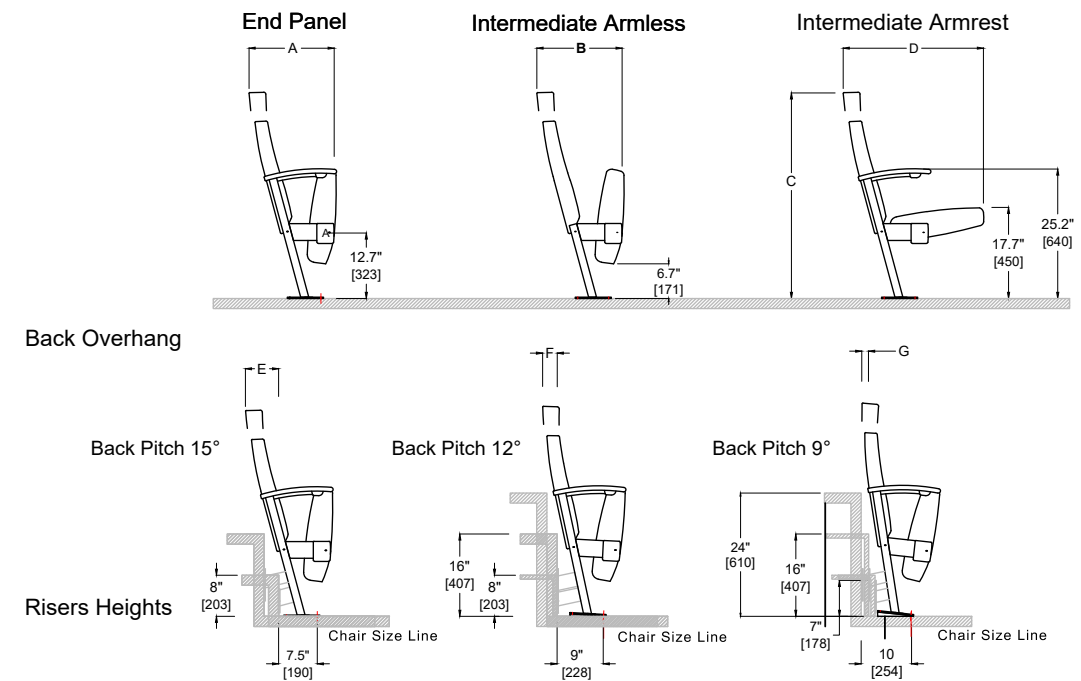
OPTIONS TO MEET YOUR NEEDS

Complete Range of Sizes

- Accordion system chair widths: Any dimension between 20" (508mm) to 24.5" (622mm)
- Fixed system chair widths: 20" (508mm), 22.5" (572mm), 22"(558mm), 24.5" (662mm)
- Back heights: 34" (863mm), 40" (1016mm)
- Minimum Radius: 23' (7 meters)

DIMENSIONS

SLIM™ 34- 40 BC- SC



	Back Pitch Angle	Back Height	
		34"- 863mm	40"-1016mm
Envelope End Panel Chair	A 15°	15.7" 399 mm	16.8" 428 mm
	12°	15.2" 386 mm	16" 407 mm
	9°	14.6" 372 mm	15.2" 386 mm
Envelope Intermediate Chair	B 15°	15.7" 399 mm	17" 428 mm
	12°	15.1" 385 mm	16" 406 mm
	9°	14.5" 367 mm	15" 382 mm
Back Height	C 15°	34.4" 874 mm	40.1" 1018 mm
	12°	35.2" 893 mm	41" 1038 mm
	9°	35.7" 906 mm	41.4" 1052 mm
Chair Depth Seat in Down Position	D 15°	26" 660 mm	27" 687 mm
	12°	25" 634 mm	26" 660 mm
	9°	24" 609 mm	24.5" 622 mm
Back Overhang Up to 8" Riser Height Face	E 15°	5.3" 134 mm	6.4" 163 mm
	12°	1.9" 49 mm	2.8" 71 mm
	9°	1.4" 35 mm	2.5" 64 mm
Back Overhang Up to 16" Riser Height Face	F 15°	3.6" 91 mm	2.4" 62 mm
	12°	1.9" 49 mm	2.8" 71 mm
	9°	0.7" 17 mm	1.3" 32 mm
Back Overhang Up to 24" Riser Height Face	G 15°	5.3" 134 mm	6.4" 163 mm
	12°	0.4" 11 mm	1.3" 33 mm
	9°	0.6" 15 mm	0.03" 1 mm
Back Overhang From Chair Size Line	H 15°	12.8" 324 mm	13.9" 353 mm
	12°	10.9" 278 mm	11.8" 300 mm
	9°	9" 227 mm	9.5" 241 mm

Dimensions are nominal and SERIES® Seating reserves the right to modify them without notice
 Thickness of Laminated or Wood Back Panels: 9/16" (14mm) or 3/4" (19mm)
 Minimum Installation Radius 23' (7 mts)



HOUSTON DYNAMO - Houston TX, USA
 SLIM BC SC MANUFACTURED BY SERIES® SEATING distributed by DREAMSEAT®

COMFORTABLE CONTEMPORARY DESIGN SEATING WITH WIDE ARRAY OF SIZES AND OPTIONS

SLIM KEY ATTRIBUTES

- **Elegant Simple Design** with compelling visual dynamics will remain current for a lifetime.
- **Surround Foam Patented System** adds to your comfort, prevents fabric marks, prevents foam deterioration and keeps a cool temperature for long lasting use.
- **Patented Seat & Back Tubular Steel & Mesh Construction** maintains shape, increases durability and comfort to your seat and back. Backs have standard lumbar support. The seat construction will support up to **600 lbs.** on the front edge of the seat and up to **1700 lbs.** across the middle of the seat.
- **Patented Seat & Back Drop-in Assembly** makes installation and service needs extremely simple while increasing efficiency thus saving time and money.
- **Patented Fully Enclosed Silent Seat Gravity Lift System** does not require any maintenance and will operate perfectly as long as there is gravity to help, insuring the seat will always return to a consistent position without finger or clothing entrapments. Available with **90** or **45** degrees stops.
- **Removable Upholstered Cushion Covers** allows for quick and easy change out.
- **Patented Accordion System** allows you to increase the width of seats up to **2 1/2"** thus making installations simple on straight, radius or reverse radius row configurations, allowing perfect alignment of aisle panels and reducing amount of attic stock needed.
- **Series Seating manufactures in house all product components** including foam, engineered wood, steel, and upholstery saving cost and improving quality control on all products.

OPTIONS

CHAIR WIDTHS

20" (508mm) and 24.5" (662mm) or any dimension between using SERIES® Seating patented

BACKS

Back Heights: 34" (863mm) 40" (1016mm)

Back pitch at 15, 12 and 9 degrees

Fully upholstered snap-in cover or Matex snap-in cover on outer back

SEATS

Fully upholstered zippered cover or Matex zippered seat bottom

ARMREST

Armrest: polyurethane or wood

Lift-up armrest

Cup holder armrest

AISLE PANELS

Aisle end panels: open end G

ADA lift-up armrest

AISLE LIGHTS

LED 12 or 24 Volts – soft warm white 2700-3000K, natural white

3600-4100K, cool white daylight 5000-6500K

Aisle lights mounted in the end panel

Custom LED lighting available

SUPPORTS

Floor supports for flat and slope floors. Up to 9 degrees

Floor cantilever support for flat and slope floors. Up to 9 degrees

Riser supports for riser's heights between 6" to 24"

Air pedestal supports

REMOVABLE SEATING

Tandem of 1, 2, or 3 chairs

Out-in of individual chairs

Riser removable system of individual chairs

Dimensions are nominal and SERIES SEATING reserves the right to modify design & specifications without notice.

TEN YEAR WARRANTY on all chair components.

Fabric components will be fabric manufacturer warranty.

For complete warranty details contact SERIES SEATING.



ARTE - Fiore



Finishes

Scan the codes below with your smartphone to view fabric colors and wood finishes.
Note: Colors may vary depending on your screen.

ACCESSORIES

SIGNAGE

Seat number plates

Aisle row identification letter plates

Donor plates

Custom signage available

Finish Options: Black plate with white characters, or brushed stainless, brass,

bronze, or copper with black characters

Signage plates surface mount

HOLDERS

Cup holder: Steel removable cup holder arm, rear or front support mounted

Communion cup holder rear mounted

Book holder rear mounted

Card holder side of seat mounted

POWER WIRING

Beam or panel mounted

4 wires, 2 circuit, 20Amps each (Circuit 1 and 2 only)

13 – Duplex receptacles per circuit, **26 -15 Amp** Duplex receptacles

per power infeed maximum

UL Listed as a manufacturer wiring system

DOLLY

Roller skate dolly

STANDARD FABRIC OPTIONS



ARTE - Avana
160000



ARTE - Avana
180201



ARTE - Avana
184026

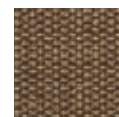
STANDARD COATED FABRIC OPTIONS



ARTE - Fiore
Graphite



ARTE - Fiore
Gray



ARTE - Fiore
Coffee



SERIES USA

Corporate Headquarters

20900 NE 30th Avenue
Suite 901
Miami, FL 33180

SERIES Colombia

Carrera 7A Km. 21
Chía, Cundinamarca 250008

SERIES Australia

68 Salamander Way
Salamander Bay, NSW 2317

© SERIES® Seating

Printed in USA by SERIES® Printing on FSC certified paper
www.seriess seating.com/patents. Designed by - Mauricio Olarte

0409231156



Dreamseat® is SERIES® Seating Authorize Distribution Partner

P: 631.656.1066

www.dreamseat.com

DREAMSEAT® New York

150 Motor Parkway
Suite 204
Hauppauge, NY 11788

DREAMSEAT® South Carolina

1301 S. Shamrock Ave
Suite 204
Landrum, SC 29356
E: sales@dreamseat.com

SERIESSEATING.COM • DREAMSEAT.COM

