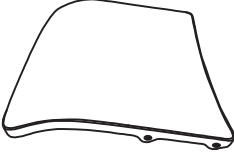



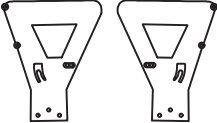

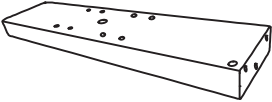

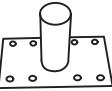






# Assembly Instructions

## Ventilator Caster Chair

# DREAMSEAT

<p><b>1. Back (1x)</b></p> 	<p><b>7. Casters (5x)</b></p> 
<p><b>2. Seat (1x)</b></p> 	<p><b>8. Bolts (2x)</b></p>  <p>1/2" x 1-3/4"</p>
<p><b>3. Arm (Left: 1x) (Right: 1x)</b></p> 	<p><b>9. Bolts (4x)</b></p>  <p>1/4" x 1-1/4"</p>
<p><b>4. Support Beam (1x)</b></p> 	<p><b>10. Bolts (14x)</b></p>  <p>5/16" x 3/4"</p>
<p><b>5. Stem (1x)</b></p> 	<p><b>11. Caps (10x)</b></p> 
<p><b>6. Base (1x)</b></p> 	<p><b>12. Allen Wrench (2x)</b></p> <p> M8</p> <p> M10</p>

