
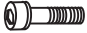


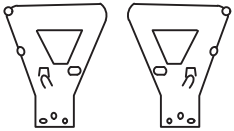


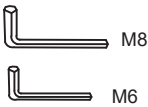
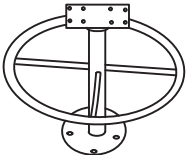

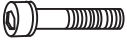


Assembly Instructions

Ventilator Fixed Pedestal Bar Stool

DREAMSEAT

1. Back (1x) 	7. Bolts (4x)  5/16"X1-1/5"
2. Seat (1x) 	8. Bolts (14x)  5/16"X3/4"
3. Arms (Left: 1x) (Right: 1x) 	9. Caps (10x) 
4. Support Beam (1x) 	10. Allen Wrench (2x) 
5. Pedestal (1x) 	11. Sleeve Anchor (6x)  M8x 3 1/4"
6. Bolts (2x)  2/5"X1-3/4"	

